

System Verification of Advanced ISDB-T Gateway

Kohei Kambara

Cite this article:

Kambara, Kohei; 2023. System Verification of Advanced ISDB-T. SET INTERNATIONAL JOURNAL OF BROADCAST ENGINEERING. ISSN Print: 2446-9246 ISSN Online: 2446-9432. doi: 10.18580/setijbe.2023.8. Web Link: <https://dx.doi.org/10.18580/setijbe.2023.8>



COPYRIGHT This work is made available under the Creative Commons - 4.0 International License. Reproduction in whole or in part is permitted provided the source is acknowledged.

System Verification of Advanced ISDB-T

Kohei Kambara

Abstract—The Advanced Integrated Services Digital Broadcasting-Terrestrial (Advanced ISDB-T) is a next generation digital terrestrial broadcasting system. From 2019, various experiments have been conducted and the fundamental performances were verified. In 2022, as for the total system verification test, the large-scale verification tests were conducted in 4 large cities in Japan. The verification test with using actual hardware including transmitter station showed the feasibility of the system.

Index Terms—Digital Terrestrial Broadcasting, Advanced ISDB-T,

I. INTRODUCTION

THE first-generation digital terrestrial television broadcasting using the Integrated Services Digital Broadcasting-Terrestrial (ISDB-T) system [1] was launched in 2003 in Japan. Since then, ISDB-T system was adopted in 20 countries including Japan. More than 20 years have passed since ISDB-T system was developed, and during these years, there are various evolutions on broadcasting technologies. Ultra-high definition television (UHDTV) satellite broadcasting services using the Integrated Services Digital Broadcasting for Satellite, 3rd generation (ISDB-S3) system [2, 3] were launched in Japan in 2018, and UHDTV has become much popular recently.

II. ADVANCED ISDB-T SYSTEM

In order to improve the user experience and for the efficient use of terrestrial broadcasting frequency band, we are currently developing the advanced terrestrial broadcasting system for the next generation of digital terrestrial television broadcasting. For the physical layer we have developed the transmitting system Advanced Integrated Services Digital Broadcasting-Terrestrial (Advanced ISDB-T) [4, 5]. With inheriting the features of ISDB-T such as hierarchical transmission and partial reception and so on, Advanced ISDB-T has improved the transmitting performance and functions. With utilizing the latest technologies, Advanced ISDB-T improved the capacity for 1.7 times larger than ISDB-T. The main key for improving the capacity was the adoption of low-density parity-check (LDPC) codes [6] and non-uniform constellations (NUC) [7]. Availability of larger FFT size such as 16k and 32k, or higher carrier modulation such as 256QAM, 1024QAM, 4096QAM and, the expanded signal bandwidth from 5.57 MHz to 5.83 MHz have also contributed to the increasement of the capacity.

The research and development for the next generation digital terrestrial broadcasting was not only limited to the

physical layer. We have also conducted the research and development of transport layer and video/audio coding. The internet protocol (IP) based transport layer was intended to realize high level harmonization between broadcast and broadband. The system enables provision of integrated broadcast and broadband services, such as multi-view video, content replacement and augmented reality (AR)/virtual reality (VR) in TV programs. To verify the integrated broadcast and broadband services, we have developed an all-IP software-based integrated master control system that outputs signals to transmission stations and broadband networks. For the video coding, the system adopted Versatile Video Coding (VVC) which is the latest video coding standard that enables high efficiency and multiple functions. For the audio coding the system utilized Moving Picture Expert Group (MPEG)-H 3D Audio (3DA).

III. TOTAL VERIFICATION TESTS

From 2019 to 2022, The experimental transmitter stations are constructed in 4 large cities in Japan and various transmitting experiments were conducted. To verify the system in total, we have conducted the end-to-end verification test with using actual equipment including the experimental transmitter stations in 2022. Fig.1 shows the block diagram of the verification test. Fig.2 shows the equipment of the receiving site. With using the hierarchical transmission, two UHDTV services for fixed reception and two HDTV services for mobile reception within 6-MHz bandwidth of UHF band was demonstrated. The video and audio content were encoded/decoded with VVC and MPEG-H 3DA real-time encoder/decoder. The integrated broadcast and broadband services were also verified with using a signal via a broadcast and broadband network.

IV. CONCLUSION

The end-to-end verification test using actual equipment of the Advanced ISDB-T was conducted in for large cities in Japan. The test was successfully done which shows the feasibility of the Advanced ISDB-T system in total.

ACKNOWLEDGMENT

Part of this research was conducted under a contract from the Association for Promotion of Advanced Broadcasting Services (A-PAB) as part of its project commissioned by the Technical Examination Services Concerning Frequency Crowding of the Ministry of Internal Affairs and Communications, titled “Survey and Studies on Technical Measures for Effective Use of Broadcasting Frequencies (Survey and Studies for New Broadcasting Services).”

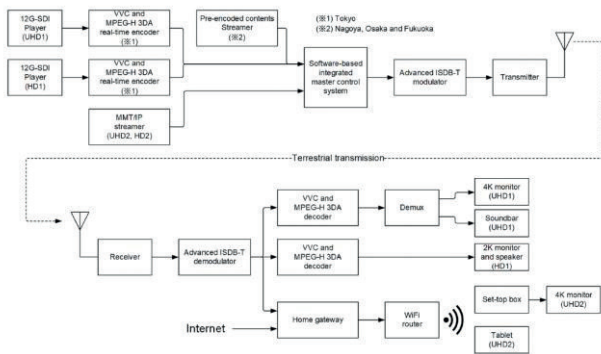


Fig. 1. Block diagram of the total verification test



Fig. 2. Equipment of the receiver site

REFERENCES

- [1] ARIB standard: "Transmission system for digital terrestrial television broadcasting," ARIB STD-B31 Version 2.2 (Mar. 2014)
- [2] ARIB standard: "Transmission system for advanced wide band digital satellite broadcasting," ARIB STD-B44 Version 2.0 (Jul.2014)
- [3] Recommendation ITU-R: "Transmission system for UHDTV satellite broadcasting," BO.2098-0 (Dec. 2016)
- [4] M. Nakamura et al.: "A study on the transmission system for an advanced ISDB-T," in *Proc. 14th IEEE Int. Symp. on BMSB*, 4A-2 (Jun. 2019)
- [5] N. Shirai et al.: "Laboratory experiments and large-scale field trials for evaluating the advanced ISDB-T," in *Proc. 14th IEEE Int. Symp. on BMSB*, 4A-4 (Jun. 2019)
- [6] S. Asakura et al.: "FPGA-based performance evaluation of FEC codes for an Advanced ISDB-T," *ITE Trans. MTA*, 9, 3, pp. 180-187 (Jul. 2020)
- [7] S. Asakura et al.: "Transmission performance evaluation of an Advanced ISDB-T -Non-uniform constellation performance in an echo channel-," *ITE Tech. Rep.*, 44, 16, pp. 21-24 (Jul. 2020), in Japanese



Kohei Kambara

received B.E. and M.E. degrees in electrical and computer engineering from Yokohama National University, Kanagawa, Japan, in 1999 and 2001. He joined NHK in 2001. Since 2019, he has been working for NHK STRL. He is a senior research engineer of the Advanced Transmission Systems Research Division and is engaged in the development of next-generation terrestrial broadcasting systems for UHDT